



济南青松国际贸易有限公司

JINAN GREEN PINE INTERNATIONAL TRADE CO., LTD.



济南青松国际贸易有限公司是一家由山东大学 MBA 管理团队创立的创新性、技术性的国际化工业品方案解决公司。青松国际依托与 SIEMENS-VAI (Primetals), Xstrata, Glencore, SMS, DME, Koniambo, Metso, Vale, SDEPCI, SDM, WESCO 等世界知名公司的合作经验,整合著名工业产品及零部件总部供应渠道,业务范围从供应钢材、铸件、锻件等金属材料到供应高端机电设备、备品备件、仪器仪表等。我们拥有上千家合作工厂提供联合制造服务,代理众多世界知名品牌,多年积累了广阔的海外渠道,共同致力于精益供应链服务。青松国际专注于优质客户群,解决客户的紧急、特殊、小批量订单,我们同时协助各类企业开发海外市场,联合各类行业协会、科研机构、专家团队为国内外企业提供商务、技术咨询服务。Jinan Green Pine International Trade Co., Ltd. is a creative, technological & international industrial solution company, established by the management team of Shandong University MBA graduates. Based on experience and international cooperation with SIEMENS-VAI (Primetals), Xstrata, Glencore, SMS, DME, Koniambo, Metso, Vale, SDEPCI, SDM, WESCO and other world-renowned companies, through integration of well-known industrial products and spare parts supply channels of headquarters, our business ranges from supplying steel, casting, forging and other metal materials to supplying high-end mechanical and electrical equipment, spare parts, and instruments. We have thousands of sub-vendors for the business of **joint manufacturing**, we also work as **agent** of many world-renowned brands, we have broad overseas channels accumulated over the years, working together with our strategic partners to provide **lean supply chain services**, focusing on high-quality customers, to solve the customer's **urgent, special, small orders**. JGPI also help all types of enterprises to develop overseas markets, provide commercial and technological consulting services for domestic and foreign enterprises supporting by various industry associations, research institutions, and teams of expert.

Let's work together to make the world better.



济南青松国际贸易有限公司

JINAN GREEN PINE INTERNATIONAL TRADE CO., LTD.

业务领域

Business range

服务您的钢铁工业需求

SERVING YOUR NEEDS IN THE STEEL INDUSTRY

满足您的高端仪器需求

MEETING YOUR DEMANDS OF ADVANCED INSTRUMENTS

提供高质经济的液压产品

PROVIDING QUALITY AND ECONOMIC HYDRAULIC PARTS

服务 Service

1. 项目计划采购 Project routine procurement
2. 项目补充采购 Project supplementary procurement
3. 生产物料采购 Production material procurement
4. 备品备件采购 Spare parts procurement
5. 设备联合制造 Collected manufacturing of equipment
6. 设备维修服务 Repair of equipment
7. 国际市场推广 International marketing
8. 国际商务咨询 International consultancy of technology and commerce
9. 项目整合合作 Integrated cooperation of project

我们专注于把先进产品和技术引进来，把特色产品和企业推出去，整合产业和专家资源，服务于能源、环保、冶金、化工、医疗、科研等行业。我们的企业文化：

以质量安全为基因

以客户价值为导向

以客户信赖为目标

我们坚持持续改进，防患于未然，获得供应商和客户的信赖，共同保障项目的顺利进行，通过我们共同的努力，让世界变得更美好。

We focus on the introduction of advanced products and technology to China, the introduction of creative products and enterprises to overseas markets. We integrate industry and expert resources to provide services in fields of energy, **environmental protection**, metallurgy, chemical, medical, research and other industries. Our corporate culture:

CUSTOMER **VALUE** ORIENTED

CUSTOMER **TRUST** AS THE GOAL

QUALITY AND SAFETY AS THE GENE

We insist on continuous improvement, prevention, access to the trust of suppliers and



济南青松国际贸易有限公司

JINAN GREEN PINE INTERNATIONAL TRADE CO., LTD.

customers to jointly ensure the smooth progress of the project, to make the world better through our joint efforts.

济南青松国际贸易有限公司

地址：中国-济南市华信路 15 号凯贝特大厦 A306 室，250100

Mobile(Wechat): +86-17805311377

Phone: +86-0531-58781895

E-mail: tianchs@126.com

Jinan Green Pine International Trade Co., Ltd.

<http://www.qsinternation.com>

Registered Add: Room 14-2-602, No. 94 Minziqian Road, 250100 Jinan, China

Office Add: Room A306 Capital Building, No. 15 Huaxin Road, 250100, Jinan, China

Responsibility, Continuous improvement, Prevention, Reliance

责任/持续改善/防患未然/信赖

We are JGPI



**Global Industrial Supply Chain
Managers**

Global Distributors

Global Marketing Institution

Global Alliance of Experts

Our business



济南青松国际贸易有限公司

JINAN GREEN PINE INTERNATIONAL TRADE CO., LTD.

1. TRADING 创造性贸易服务

Our trading business is the core of JGPI and provides **strategic sourcing services** across multiple fields to clients across the globe.

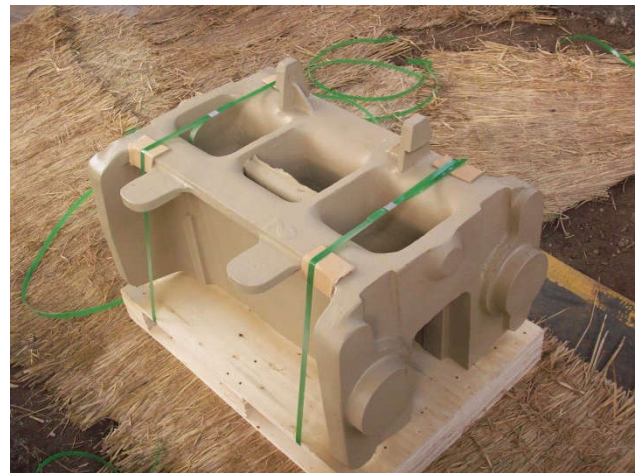
Expertise, professionalism and integrity have contributed to our reputation as a creative industrial goods sourcing company. We care for the communities in which we operate and live by the company's strong values. We are a thought leader and innovate and experiment with new ideas every day. We are so much more than a traditional trading company. We are JGPI. We have experts from various professions. **Our people** are the reason for our success and the source of our strength and expertise. We are supplying global supply chain service for SIEMENS, Primetals, ABB, DME, SMS, SDU, SDEPCI, Metso, etc. including **urgent and special site supply chain service**.





济南青松国际贸易有限公司

JINAN GREEN PINE INTERNATIONAL
TRADE CO., LTD.





济南青松国际贸易有限公司

JINAN GREEN PINE INTERNATIONAL TRADE CO., LTD.



Certificate of Qualification

This is to certify that

**Jinan Green Pine International
Trade Co., LTD**

Supplier Number: 199818

Is now fully registered as a supplier in the Achilles Power & Tech Supply chain management community for the following products/services

1.1.77 Pumps

1.11.26 Measuring instruments

1.1.95 Bearings

3.14.5 Rubber Hoses & Couplings

1.1.111 Welded components

Chris Hornung

Chris Hornung
Group Operations Director
Achilles Group Limited

Expiry Date: 08 January 2017



Achilles Information Hong Kong Limited
30 Western Avenue, Milton Park, Abingdon, OX14 4SH, United Kingdom
T: Sales +852-3696-7317, Support +852-3696-7319 F: +852 28157120 E: PowerandTech@achilles.com
www.achilles.com





济南青松国际贸易有限公司

JINAN GREEN PINE INTERNATIONAL TRADE CO., LTD.

2. DISTRIBUTING 代理和分销

JGPI is authorized by many world-famous brands to work as their **local or global distributor**, including the instruments of Testo, Hydrosand, NORTH, ILSINTECH, E+H, Faledy, Hilti, KSB, ANDRITZ, Boshan, LEUSCH, EBRO, PONHAN, XINGYUAN, KONE, EICH, Bisplate, EMERSON, Honeywell, METTLER TOLEDO, etc.

We can supply high-end hydraulic accessories, couplings, instruments, Frequency converter/SVG, Active power filter, LV MV Factor correction, Filtering system.





济南青松国际贸易有限公司

JINAN GREEN PINE INTERNATIONAL
TRADE CO., LTD.



Jinan Green Pine International Trade Co., Ltd

Authorized Dealer in China

济南青松国际贸易有限公司

授权销售商（中国）

Authorized by:

Date of expiry: 2016-12-31



www.hydroscand.com

www.hydroscand.cn

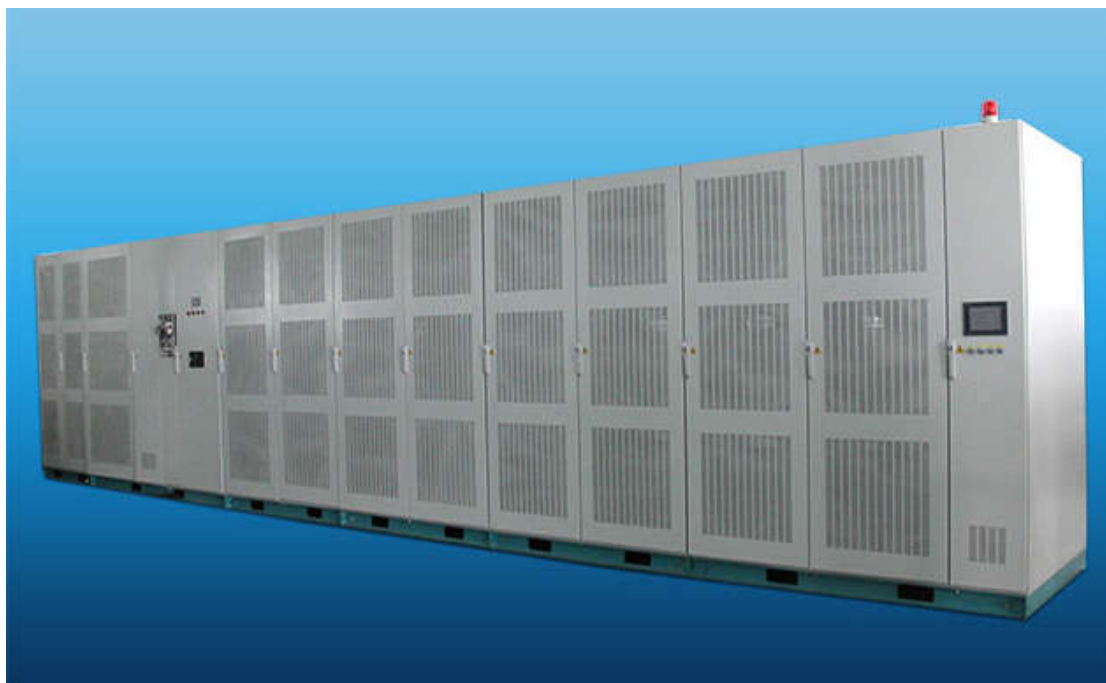


法拉德电气



济南青松国际贸易有限公司

JINAN GREEN PINE INTERNATIONAL TRADE CO., LTD.



3. MARKETING 国际营销

Through the mode of joint manufacturing of mechanical equipment, JGPI

Let's work together to make the world better.



JINAN GREEN PINE INTERNATIONAL TRADE CO., LTD.

provides marketing service for many creative products, including casting, forging, welding, machining, expansion joint, tuyere blast device, dust catcher, diesel generator, PONHAN valve, XINGYUAN pump, Bisplate, rubber belt, special steel pipe.

Some sub-vendors of casting, forging, welding, machining, etc.

碳钢、不锈钢焊接加工件生产基地

任 丰田机械

博山丰田工程机械有限公司
Boshan Toyotar Engineering Machine Co., Ltd.

产品简介 CHANPINJIANJIE



产品介绍:
福建鸿山热电厂项目, 2400VZNM双相不锈钢立式轴流泵 出水弯管 (部件)



产品介绍:
舟山电厂项目, 1800VZNM双相不锈钢立式轴流泵 导水罩 (部件)



产品介绍:
北疆电厂项目, 900VZNM双相不锈钢立式轴流泵 外连接架 (部件)



产品介绍:
浙能六横电厂工程, 2200VZNM双相不锈钢立式轴流泵 导流类 (部件)



产品介绍:
福建鸿山热电厂项目, 2400VZNM双相不锈钢立式轴流泵 连接管 (部件)



产品介绍:
福建鸿山热电厂项目, 2400VZNM双相不锈钢立式轴流泵 部件



产品介绍:
北疆电厂900VZNM双相不锈钢立式轴流泵 出水弯管 (部件)



产品介绍:
北疆电厂900VZNM双相不锈钢立式轴流泵 连接管 (部件)

任 丰田机械

博山丰田工程机械有限公司
Boshan Toyotar Engineering Machine Co., Ltd.



产品介绍:
华电八家电厂项目, 2200VZNM双相不锈钢立式轴流泵 出水弯管 部件



产品介绍:
出口沙特阿拉伯项目, 1800VZNM双相不锈钢立式轴流泵 出水弯管 部件



产品介绍:
常州武进电厂项目, 900VZNM立式轴流泵 出水弯管 (部件)



产品介绍:
安徽山木水厂项目, 800VZNM立式轴流泵 出水弯管 (部件)



产品介绍:
出口印尼芝拉扎项目, 800 x 400VYDB-4M双相不锈钢立式轴流泵 外壳体 (部件)



产品介绍:
南水北调东线项目, 3000HSTM卧式轴流泵 导流壳体 (部件)



产品介绍:
医疗设备系列, 放射治疗模拟机 主体支撑 (部件)



产品介绍:
医疗设备系列, 放射治疗模拟机 旋转臂 (部件)



济南青松国际贸易有限公司

JINAN GREEN PINE INTERNATIONAL
TRADE CO., LTD.



Let's work together to make the world better.



济南青松国际贸易有限公司

JINAN GREEN PINE INTERNATIONAL TRADE CO., LTD.

水泵生产基地



Let's work together to make the world better.



JINAN GREEN PINE INTERNATIONAL TRADE CO., LTD.

贝斯济钢耐磨板



BISPLATE® 400

BISPLATE® 400 是一种全厚度硬化、抗磨损钢板，在高强度冲击磨损环境中使用寿命长。

应用领域

BISPLATE® 400 具有优异的耐摩擦、抗磨损和冲击韧性，应用领域：

- 卸载车耐磨衬板
- 旋风分离器
- 螺旋输送机
- 导流护板
- 输送机斜道
- 挖掘设备
- 贮料仓
- 切削刃
- 挖掘机铲斗

加工制造

BISPLATE® 400 耐磨钢板硬度高、耐磨性能好并且具有优异冲击韧性。BISPLATE® 400配合优化耐磨、韧性和焊接三方面性能，能够比较容易地利用常规焊接工艺配以低氢焊条进行焊接。所有厚度BISPLATE® 400钢板均可以冷加工成型，但是考虑到钢板较高的强度，在加工之前要确认机械设备加工能力。钢板受热温度不要高于250℃以避免机械性能受到影响。

机械性能

检验性能：布氏硬度 370-430HBW

典型性能指标	
0.2%屈服强度	1070 MPa
抗拉强度	1320 Mpa
延伸率（50mm标距）	16%
-20℃纵向夏比冲击值	65J
-40℃纵向夏比冲击值	50J
布氏硬度	400HBW

化学成分

厚度 (mm)		C	P	Mn	Si	S	Cr	Mo	B	CE(IIW) 平均值	CET 平均值
6-20	最大值	0.20	0.025	1.50	0.30	0.008	0.50	0.35	0.003	0.33	0.29
≥20-80	最大值	0.22	0.025	1.60	0.25	0.008	0.30	0.25	0.002	0.48	0.35
>80-100	最大值	0.22	0.025	1.50	0.90	0.008	1.50	0.65	0.003	0.58	0.35





济南青松国际贸易有限公司

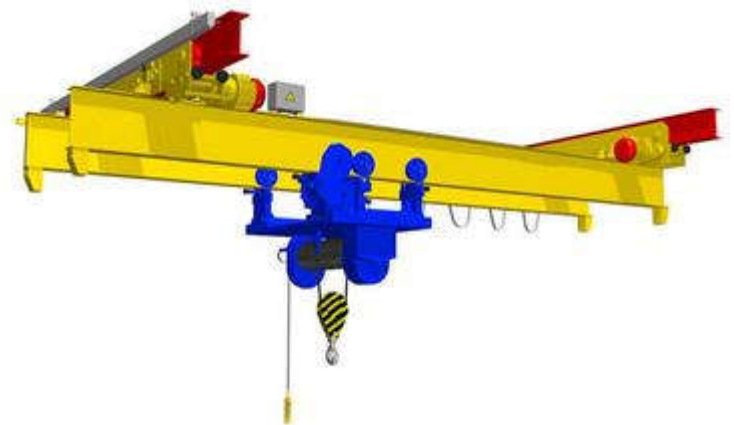
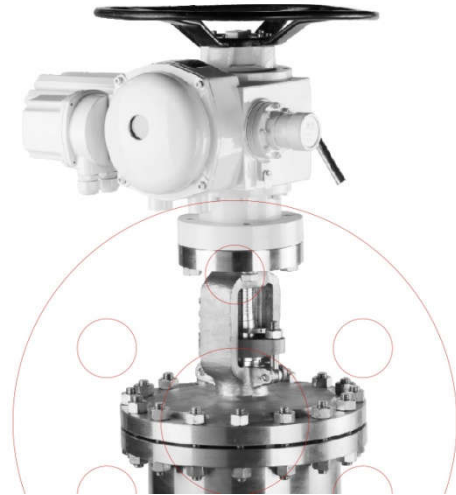
JINAN GREEN PINE INTERNATIONAL TRADE CO., LTD.



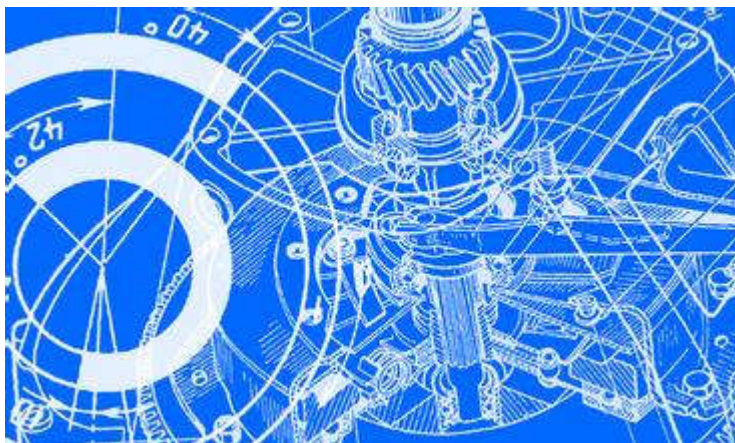


济南青松国际贸易有限公司

JINAN GREEN PINE INTERNATIONAL TRADE CO., LTD.



4. CONSULTING 行业精英合伙人



With **excellent experts from various fields**, JGPI provides international commercial and technical consulting service for global clients. We have partners of SDEPCI, Primetals, DANI ELI, SMS, SDM, etc.

Let's work together to make the world better.



济南青松国际贸易有限公司

JINAN GREEN PINE INTERNATIONAL TRADE CO., LTD.

List of General Products&Service

Products/Service	Standard	Brand	Remark
Fitting/Hose/Elbow/Adaptor 液压管件		HRDROSAND	
		STAUFF	西德福
		Parker	派克
		CEJN	
		NORTH	北方管业
		HYDAC	贺德克
Swivel joint 接头		KLAAS	
Cylinder 油缸		Rexroth	力士乐
		URANUS	尤瑞纳斯
		Shaoguan	韶关液压
Hydraulic station 液压站		Rexroth	CE
		Yuken	榆次油研
		GLUAL	
Fixing clips 管夹		NORMAFIX	
Pump 泵		Andritz Ritz	安德里茨
	Russia	Xingyuan	High-pressure/Sand/Slurry pump
		KSB	
		EBRA	荏原
	ISO	SGB	Slurry pump
	ISO CE	Nanfang	南方泵业
	ISO CE	Boshan	博泵
	ISO CE	Kaiquan	凯泉
Lubrication pump 润滑泵		LINCOLN	SKF
Valve 阀门		TED	Ball valve
Valve 阀门		SWAGELOK	Ball valve
Valve 阀门		Z&J	Hot blast valve
Valve 阀门		Quancheng	Butterfly valve
Valve 阀门		EBRO	Butterfly valve
Valve 阀门		VELAN	



JINAN GREEN PINE INTERNATIONAL
TRADE CO., LTD.

Valve 阀门		Leser	
Valve 阀门		A&M	
Valve 阀门		Adams	
Valve 阀门		Crosby	
Valve 阀门		CV	
Valve 阀门		Dewrance	
Valve 阀门		Dresser	
Valve 阀门		Edward	
Valve 阀门		Masoneilen	
Valve 阀门		SAFELOCK	
Valve 阀门		SWAGELOK	
Valve 阀门		VECTOR	
Valve 阀门		PONHAN	
Valve 阀门		FISHER	
Valve 阀门		LEUSCH	
Valve 阀门		HANK	
Valve 阀门		BLACK	
Valve 阀门		tyco	
Valve 阀门		FITOK	
Valve 阀门		Qinye	Hot blast valve
Valve 阀门		OTTO	
Valve 阀门		LIK	
Valve 阀门		HITACHI	
Valve 阀门		kitz	
Valve 阀门		STAUFF	
Valve 阀门		KSB	
Valve 阀门		MKS	
Ball valve 球阀		Pister	匹斯特
SVG 无功补偿		FALEDY	德国法拉德
VSD/SVG 无功补偿		SUNSHINE	新风光
光纤熔接机		ILSINTECH	日新
色谱仪		AGILENT	安捷伦



JINAN GREEN PINE INTERNATIONAL
TRADE CO., LTD.

铆钉、射钉枪		Hilti	
扭力扳手		ITH	
灌浆料		Sika	
减震降噪部件		HUTCHINSON 哈金森	
弹簧装置		ACE	
氮气弹簧		SPECIAL SPRINGS	
Sensor 传感器		ROCKWELL	
Sensor 传感器		EMERSON	
Sensor 传感器		HONEYWELL	
Load cell 称重单元		Vishay Nobel	
Terminal box 端子箱		Rittal	威图
Instruments 烟气分析仪		Testo	德图
Sensor 传感器		Raytek	雷泰
料位计		E+H	E+H
料位计		Siemens	西门子
Weighing equipment		Jinzhong	金钟电子
磁力搅拌器		IKA	
Limit switch 限位开关		Schneider	施耐德
Sensor 传感器		IFM	易福门
Fire warning unit 火警装置		SIREN	CE
电子微压计		希玛	
BioPhotometer		Eppendorf	核酸蛋白测定仪
显微镜		OLYMPUS	
Sensor and Weighing system		METTLER TOLEDO	梅特勒托利多
Bearing 轴承		EICH	
		SKF	
		FAG	
		GRW	
		SWC	
		WINKEL	



JINAN GREEN PINE INTERNATIONAL
TRADE CO., LTD.

		TIMKEN	铁姆肯
		INA	
Roller bearing 轴承		Borkey	
Geared motor 减速电机		Demag	德马格
		Siemens	西门子
		SEW	SEW 赛威传动(中国)投资有限公司 <small>SEW-EURODRIVE SEW-EURODRIVE TECHNOLOGIES CO., LTD.</small>
		ABB	
		ZOLLERN	
		SANTOSALO	
		C. H. SCHÄFER	
		Jiamusi	佳木斯
Coupling 联轴器		Chongsheng	
氧枪 Oxygen lance		Chongsheng	
Tuyere bush(L,M,S)		Chongsheng	
Crane 起重机			
Rail 导轨		WINKEL	
Steel 钢材		Jigang	济钢
Copper 铜材		Baoshida	宝世达
		AMPCO	安博科
		Yulong	Current strip
Pipe 特殊钢管		Tianjin	天津
切割机		巨力	
Laser cutter 激光切割机		Senfeng	森峰
Cable 电缆	ISO/CE	Baoshida	宝世达
Cable reel 电缆卷筒	CE	Cavotec	
Cable chain 电缆导链		Brevetti Stendalto	
LED	ISO	Baoshida	宝世达
Steel casting 铸钢件	ISO/ASME		Stave cooler/Tuyere bush/Pressure lever/Roller/Crusher jaw/Cable shave/Rope



JINAN GREEN PINE INTERNATIONAL
TRADE CO., LTD.

			pulley, etc.
Iron casting 铸铁件	ISO/ASME		Stave cooler/Grates and column/Tuyere bush/Grate bar/Roller.etc.
Steel forging 锻件	ISO/ASME		
Welding and machining structure 结构件	ISO/ASME		
Metallurgical powder parts	ISO		粉末冶金
Superfinishing parts	ISO	Hawking	豪克能加工
Axle/Break shoe/Fifth wheel/Kingpin/Cam shaft/Air chamber/Spring/Landing gear/Adjusting arm/Bogie suspension/Bolt/Container lock 卡车配件		Sinotruck	
Design			Expert with qualification
Technical service of UT/MT/PT/RT	ISO/ASME		Expert with qualification
Technical consultation of casting/welding/machining/hydraulic system/assembly	ISO/ASME		Expert with qualification